



Controlled Dehumidification IMS (CDIMS)

5931 Ford Court Brighton, MI 48116 • 810.229.7900

Fax: 810.229.7908 • sales@cdims.com • cdims.com

## NBF-7500 Filter Section

Specifications:

Model – NBF-7500 HEPA Filtration Section

Static Pressure-2.1" w.c. initial at 7,500 SCFM

Static Pressure- 1.3" w.c. Initial at 5,600 SCFM

Unit Approximate Weight Ea - 650 lb.

¼" Diamond Plate welded construction

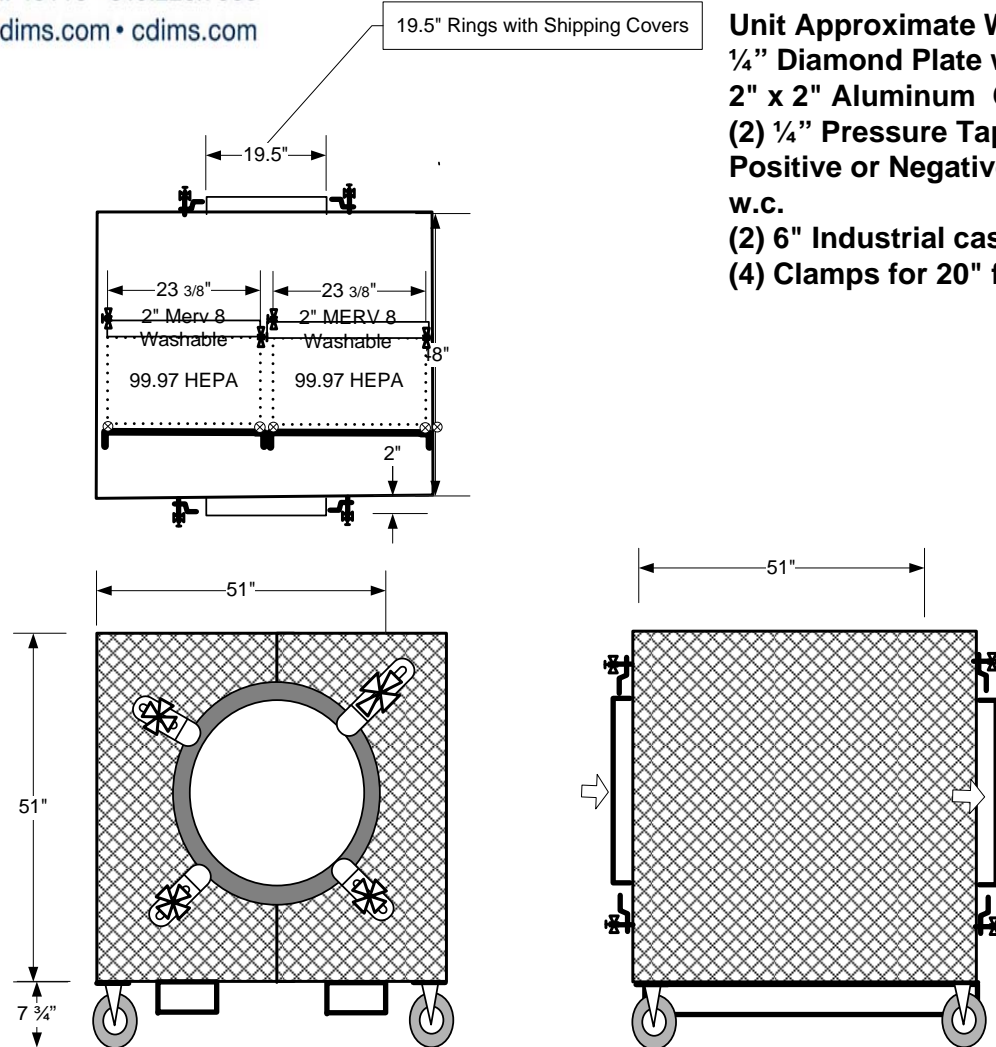
2" x 2" Aluminum Corners with (4) Lifting eyes

(2) ¼" Pressure Tap locations with Plugs

Positive or Negative pressure operation up to 7.5" w.c.

(2) 6" Industrial caster Fixed (2) 6" Swivel locking

(4) Clamps for 20" flexible-duct for inlet and outlet



Note: All dimensions are approximate and subject to change. This drawing is not to scale.