



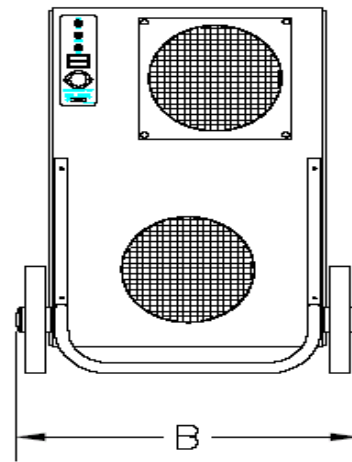
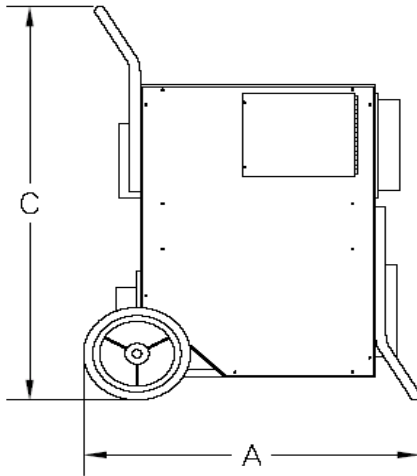
## Controlled Dehumidification

5931 Ford Court Brighton, MI 48116 • 810.229.7900

Fax: 810.229.7908 • sales@ctrdh.com • ctrdh.com

### **MS-600-ARID-Dry Desiccant Dehumidifier**

<u>Model</u>	<u>CFM</u>	<u>Fuel Type</u>	<u>"A" Dim.</u>	<u>"B" Dim.</u>	<u>"C" Dim.</u>	<u>Weight</u>
MS-600	600	Electric	31 ½"	25 ½"	42 ½"	160 lbs



	Static Pressure External	Moisture Removal Lbs/Hr 80°/60% RH	Moisture Removal Gallons/Day 80°/60% RH	Moisture Removal Lbs/Hr 55°/80% RH	Moisture Removal Gallons/Day 55°/80% RH	Electric Reactivation FLA Load 230/1/60	Electric Reactivation MCA Load 220/1/60
Air Volume 600	.5" w.c.	8	23	6	17	25	30



- (2) Fixed Castors
- Remote Humidistat Connection
- 10" Round Connections
- 30% Pleated Efficiency Filters
- 304 Stainless Construction
- Power Cord Kits Available